

ASSEMBLY MANUAL

As of January, 2019



MADE in GERMANY



EFFECTIVE
Privacy shield

CONTENTS

WELCOME

Welcome to our NATURinFORM world. We are delighted that you have decided to use our products.

This laying manual was created carefully for you to give you the optimum amount of information regarding our products and it is being regularly further developed and updated. It contains all the information on the material, its attributes, planning foundations and the correct usage.

You can find the current (and valid) version of this laying manual on the internet at www.naturinform.com.

*Thank you for trusting in NATURinFORM.
Best regards,*

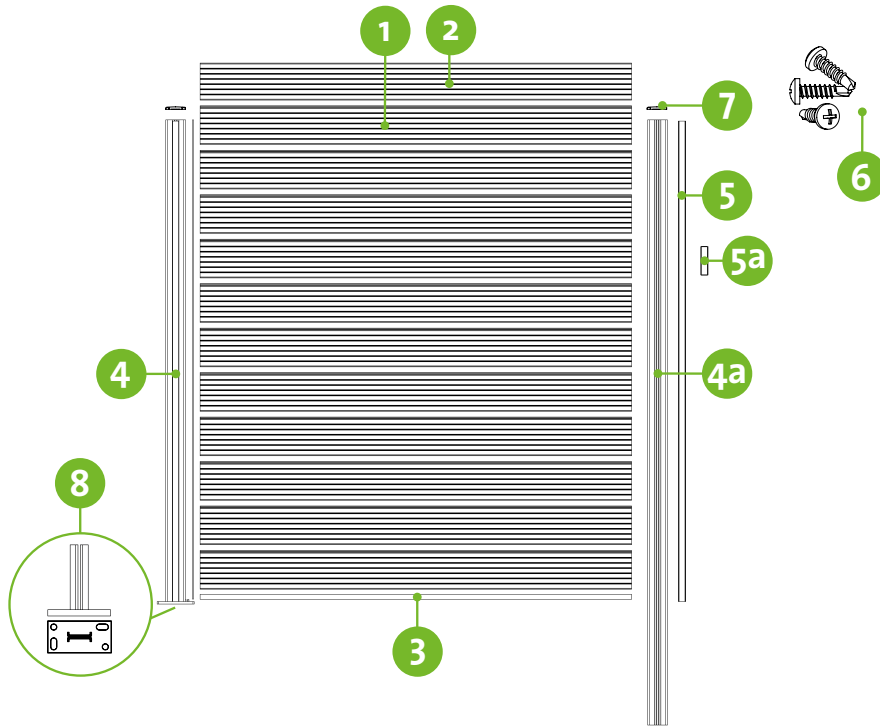
A handwritten signature in blue ink that reads "H. Walther". The signature is written in a cursive style with a large initial "H" and a long, sweeping underline.

*Horst Walther
Founder and Managing Director*

CONTENTS

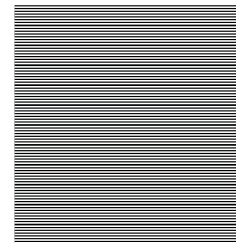
- 3 Delivery scope
- 4 Planning foundations
- 6 Steps to construct your privacy shield fence
- 8 Window modules made of acrylic and stainless steel
- 9 Drilling template for simple assembly
- 10 Useful information

DELIVERY SCOPE



List surface set EFFECTIVE privacy shield

	Item name	Measurements	Piece / Unit
1	Slat profile	175 x 15 x 2.4 cm	11
2	Slat profile without groove	175 x 15 x 2.4 cm	1
3	Lower steel strip	175 x 0.5 x 2 cm	1



Surface set
ca. 180 x 175 cm

List post set EFFECTIVE privacy shield for bolting with ground anchor

	Item name	Measurements	Piece / Unit
4	Aluminium post for bolting with ground anchor	7.3 x 6.6 x 195 cm	1
5	Cover profile long	195 cm	1
5a	Cover profile short	15 cm	1
6	Drill screw	0.63 x 2.5 cm	3
7	Cover cap	7.3 x 6.6 x 2.1 cm	1
8	Ground anchor	16 x 8 x 40 cm	1



TOOLS REQUIRED to mount the post set: Spirit level, crosshead screwdriver, metal saw to cut the cover profiles to length.

List post set EFFECTIVE privacy shield to embed with concrete as base and corner post

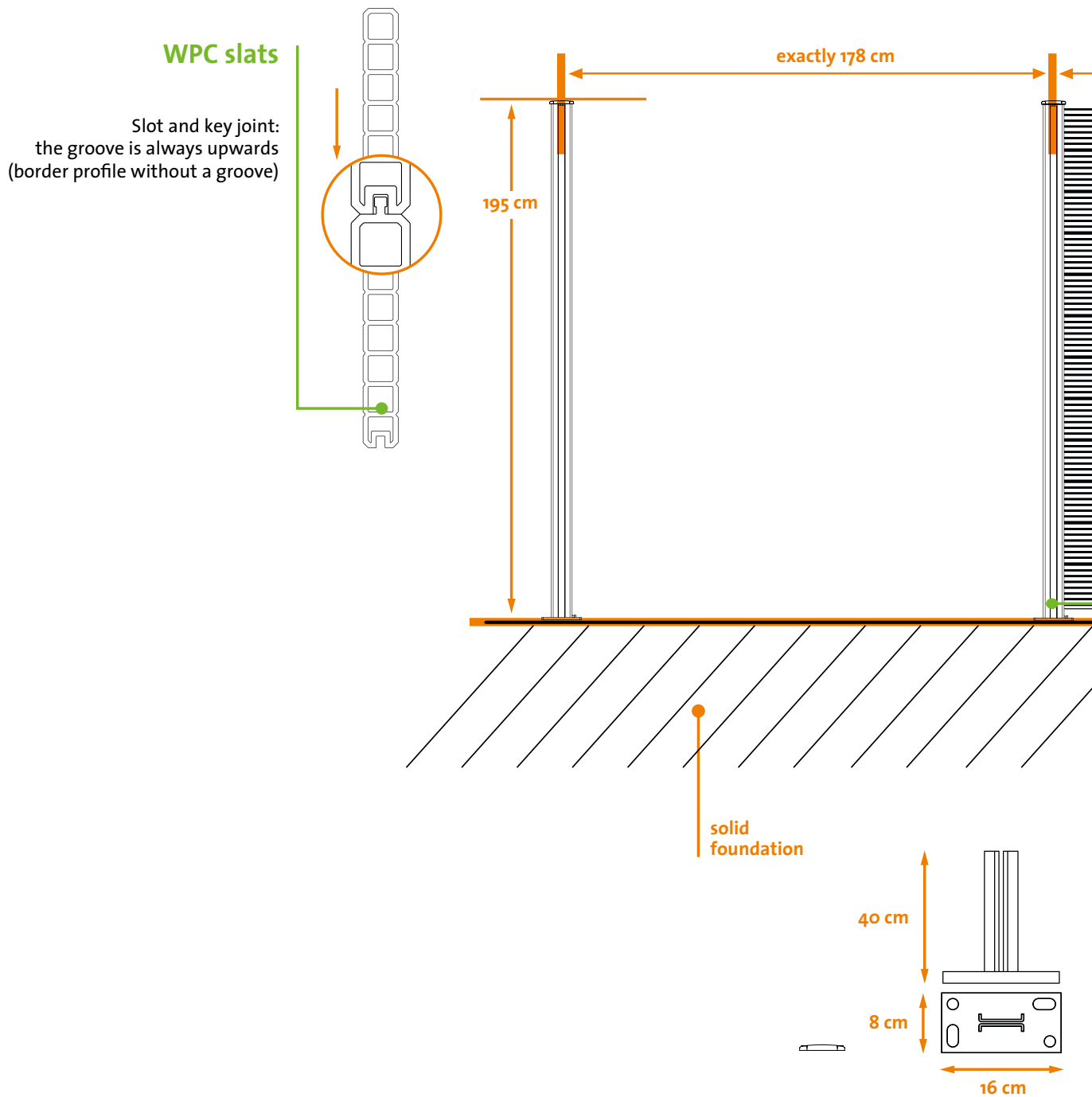
	Item name	Measurements	Piece / Unit
4b	Aluminium post to embed with concrete	7.3 x 6.6 x 245 cm	1
5	Cover profile long	195 cm	1
5a	Cover profile short	15 cm	1
7	Cover cap	7.3 x 6.6 x 2.1 cm	1
7	Cover cap for corner posts normal and mirrored	7.3 x 6.6 x 2.1 cm	2

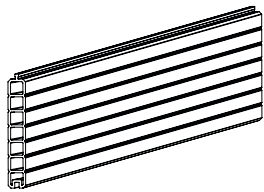


TOOLS REQUIRED to cement the post set: Spirit level, metal saw

PLANNING FOUNDATIONS

Overview of the producer processing regulations





'EFFECTIVE' WPC privacy shield

Height ca. 180 cm
Width ca. 174 cm

Surface set with
WPC slats

exactly 178 cm

ca. 245 cm

min. 50 cm deep
in concrete

Screwed on post
Height ca. 195 cm
made of aluminium
and cap

Ground anchor
Stand of zinc-plated steel
16 x 8 x 40 cm

Post to embed with concrete
Height ca. 245 cm
made of aluminium
and cap

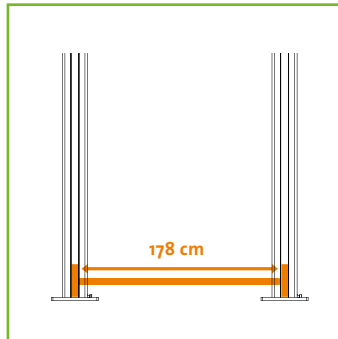
**Do not remove the packaging film
when setting in concrete.**



STEPS TO ASSEMBLE THE PRIVACY SHIELD



Image. 1a



- 1a. The gap between the posts is 178 cm (from the middle of one post to the middle of the next) when assembling the posts. Fix / screw on the ground anchor using suitable screws (not in the delivery scope). The drilling template (p. 9) can be used to transfer the fixing drill holes. Then mount the post profile between the steel legs of the ground anchor and fix with the delivered drill screws. If necessary align the posts vertically by using gap discs.

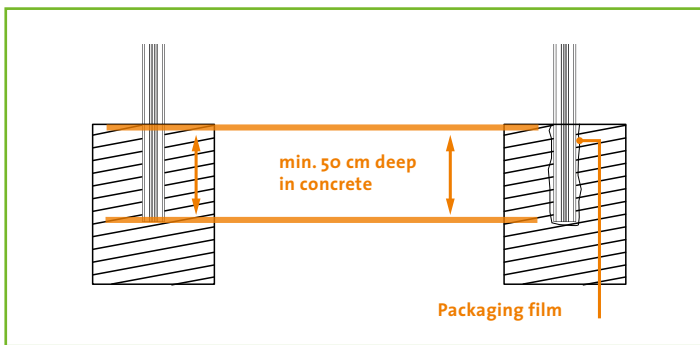
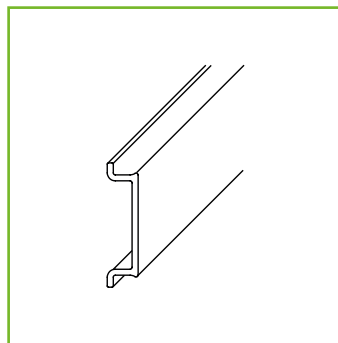


Image. 1b

- 1b. Or: set post to embed with concrete at least 50 cm deep in concrete as a ground anchor (note sufficient hardening times). We recommend leaving on the packaging film if you are going to set it in concrete.



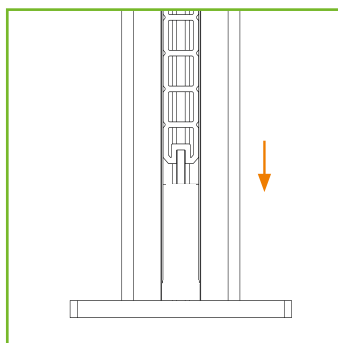
Image. 2



2. Cut a piece of cover profile (within the delivery scope with 15 cm) with the desired gap to the ground, (image 2). You can leave a gap to the ground from 2 to 10 cm.



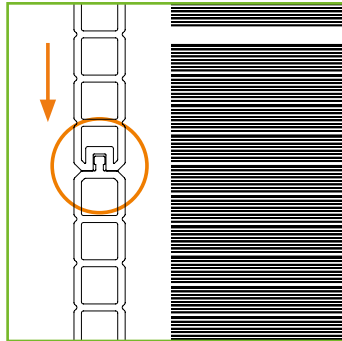
Image. 3



3. Lay the lower strip of zinc-plated steel vertically onto the cover profile - this prevents longterm bending (image. 3).
Lay the first WPC slat on the strip. Make sure that the strip is inserted in the slat's lower groove.



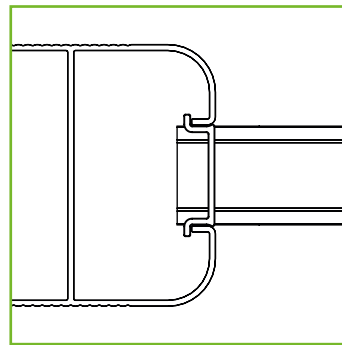
Image. 4



4. Insert all further slats using the slot and key method. Use the slat without a groove as the topmost profile.



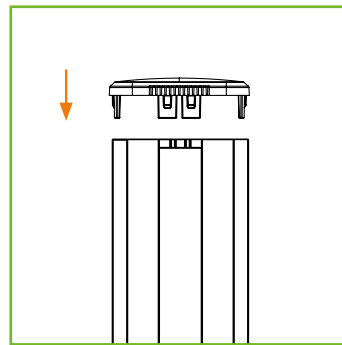
Image. 5



5. Insert the leftover piece of the cover profile into the groove. Important: As the slat must be able to ,move' naturally, you must leave a gap of at least 2 cm from the cover profile to the top edge of the post (Image. 5).



Image. 6



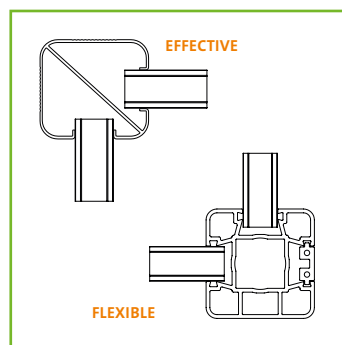
6. Now attach the cover cap securely. If necessary, glue it to the post.

Interesting note:

So as not to risk the material losing shape the fence slats may not be ,wedged' using too much force. It is necessary that the WPC material can ,move'.



Image. 7



7. Both the new posts EFFECTIVE, as well as FLEXIBLE privacy shield and noise protection fences can be used to create corners.

WINDOW MODULES MADE OF ACRYLIC AND STAINLESS STEEL

as an addition

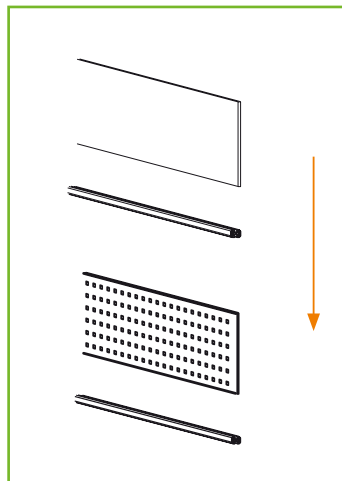


Image 1

1. To insert an acrylic or stainless steel window module, simply replace a slat with a window module and a suitable adapter profile.



Image 2



2. Fix the adapter profile onto the slat. Insert the window module into the adapter profile's groove..

The next slat's groove is inserted directly into the window module..

Interesting to know::

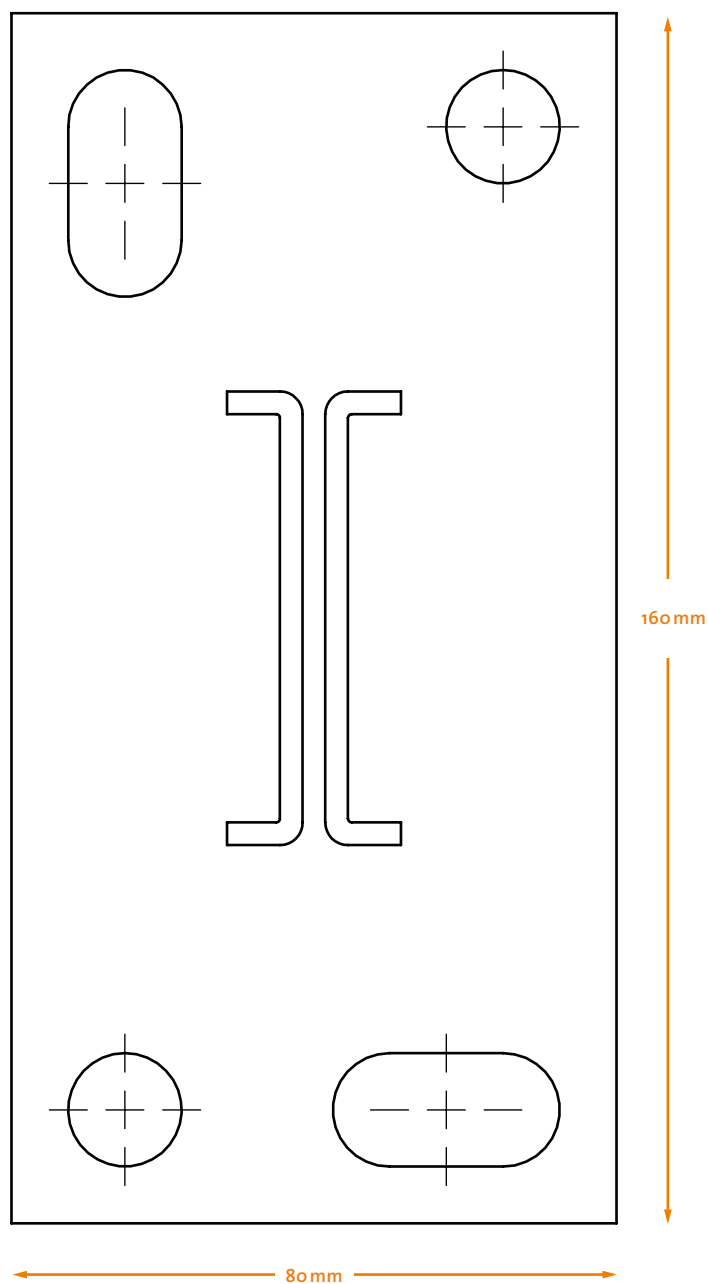
The module with the addition ,1-fold' replaces exactly 1 slat.

DRILLING TEMPLATE

or simple assembly

Print out as an assembly aid.

Please make sure your printer is set to 100 % scale when you print this out..



Measure: 1:1

USEFUL INFORMATION

- ✔ With privacy shields you must note the own weight of the shield and the local wind load when planning and executing the construction and on streets and paths you have to ensure health and safety requirements are met for the surrounding areas. Please ask your expert dealer for advice prior to construction! It is the layer's responsibility to process the product expertly.
- ✔ Assemble the lowest profile in such a way that it does not touch the ground or the earth. The optimum gap is at least 50 mm..
- ✔ Mount the posts at a distance of 178 cm (middle of one post to the middle of the next post).
- ✔ The dimensions of the foundations for the posts and attaching dowels are to be adapted to the static requirements. With longer privacy shield areas you must plan in and mount additional stiffeners or strengtheners to the posts in consultation with the structural engineer.
- ✔ Slats are to be inserted loosely between the posts. The material must not be wedged in under pressure or strain!!
- ✔ If you cannot remove stains mechanically using a brush and water, we recommend using our specially developed NATURinFORM WPC cleaning agent that you can purchase from your expert dealer..
- ✔ **Colour variations**
When mixing the wooden fibres with the colours there is a reaction between the wood and the colour. The wooden fibres sometimes absorb the colour differently, which can lead to colour variations in the final product. It is not possible to avoid this when producing composite materials. As time goes by, these variations will become more and more similar, but they will always retain their natural attributes.



MADE in GERMANY

This brochure was carefully assembled for you and is constantly being further developed. Current and valid versions are at www.naturinform.com. Printed colours may vary. As of January, 2019

NATUR inFORM®

NATURinFORM GmbH
Flurstraße 7
D-96257 Redwitz a. d. Rodach
Tel +49 (0) 9574 65473-0
Fax +49 (0) 9574 65473-20
info@naturinform.com
www.naturinform.com

